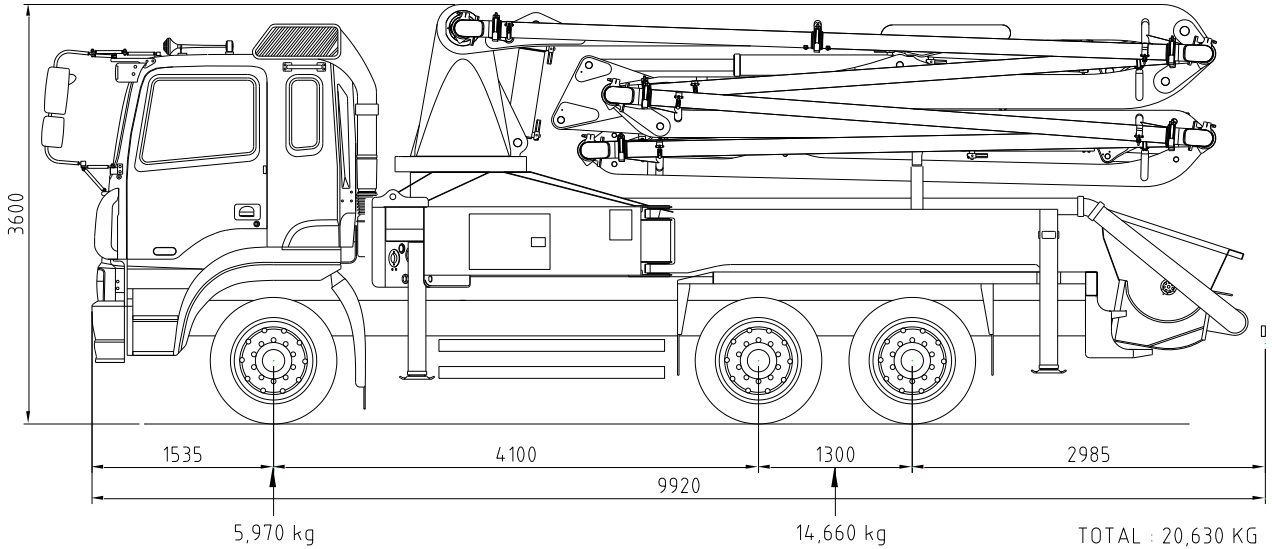


Our Pride ...

KCP31ZX5120



▣ Boom specifications

Vertical reach	30.6M
Horizontal reach	26.5M
Reach from front of truck	23.4M
Unfolding height	6 M
Section articulation	92°/180°/230°/180°/235°
Rotation	370°
Delivery line	125 mm
Proportional boom	Yes
End hose length	3M
Outrigger spread-front	5.64 M
Outrigger spread-rear	6.18 M
Max.outrigger weight	14,000kg

- ⊙ Truck specifications : HYUNDAI 15T (380ps,EURO5)
- ⊙ Maximum theoretical values listed.
- ⊙ Photos and drawings are for illustrative purpose only
- ⊙ Right to make technical amendments reserved

▣ Working diagram

▣ Pump specifications

Maximum output	100 m³/h
Concrete cylinder	Ø230×1400
Stroke per minute	31
Concrete pressure	70 bar
Hopper capacity	0.5 m³
S-tube	Ø200×Ø150
Hydraulic pump	KCP – K3V180S
Cycling system	Hydraulic with manual overrides
Max. aggregate size	40 mm

