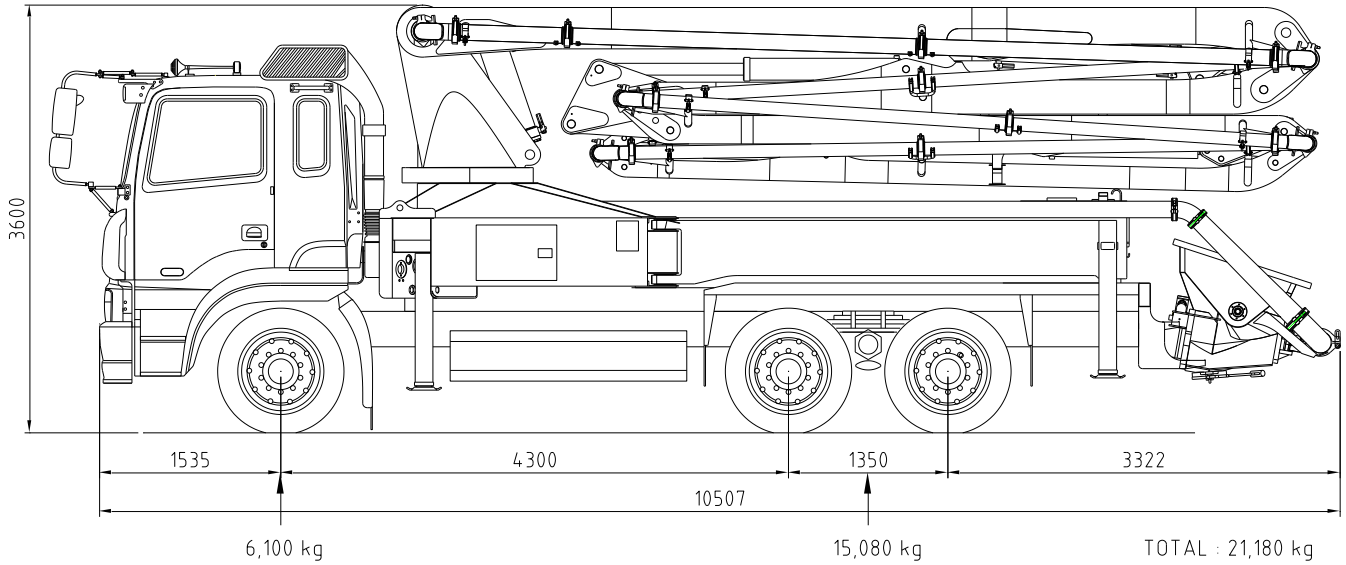


Our Pride ...

KCP34ZX5120



▣ Boom specifications

Vertical reach	34.55M
Horizontal reach	30.5M
Reach from front of truck	27.4M
Unfolding height	6.82 M
Section articulation	92°/180°/225°/180°/245°
Rotation	370°
Delivery line	125 mm
Proportional boom	Yes
End hose length	3M
Outrigger spread-front	5.6 M
Outrigger spread-rear	6.77 M
Max.outrigger weight	16,000kg

- ◎ Truck specifications : HYUNDAI -15T NEW-POWER (380PS, EURO5)
- ◎ Maximum theoretical values listed.
- ◎ Photos and drawings are for illustrative purpose only
- ◎ Right to make technical amendments reserved

▣ Working diagram

▣ Pump specifications

Maximum output	100 m³/h
Concrete cylinder	Ø200×1800
Stroke per minute	32
Concrete pressure	69 bar
Hopper capacity	0.6 m³
S-tube	Ø200×Ø180
Hydraulic pump	KCP-K3V180S
Cycling system	Hydraulic with manual overrides
Max. aggregate size	40 mm

